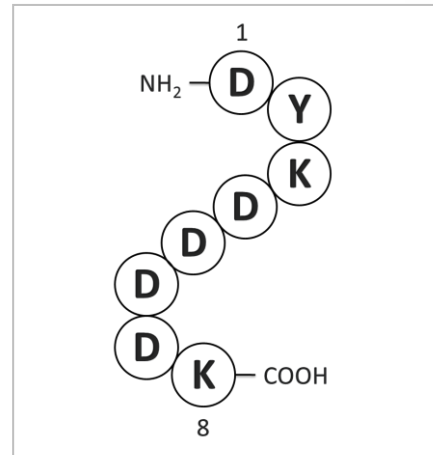


## FLAG Peptide Datasheet

Protein Ark's high purity FLAG tag peptide consisting of eight amino acids (Asp-Tyr-Lys-Asp-Asp-Asp-Lys) including an enterokinase-cleavage site. Specifically designed for immunoaffinity chromatography and purification of recombinant proteins.



### Specification:

Sequence:	NH <sub>2</sub> -DYKDDDDK-COOH
Molecular Weight:	1012.96 Da
Purity:	> 95%
Source:	Synthetic
Format:	Lyophilized white powder
QC analysis:	Mass Spec and LC-HPLC
Storage (short term):	2-8°C (up to 6 months)
Storage (long term):	-20°C
Precautions:	This product is for research use only. Not for use in diagnostic or therapeutic procedures

### Ordering Information:

Product	Units	Order Code
FLAG peptide (1.1 mg)	1.1 mg	DYKDDDDK-1
FLAG peptide (5 x 5 mg)	25 mg	DYKDDDDK-25

### Protein Ark Limited

Telephone +44 (0) 114 224 2257  
Email: [info@proteinark.com](mailto:info@proteinark.com)